

Cast Iron Swing Check



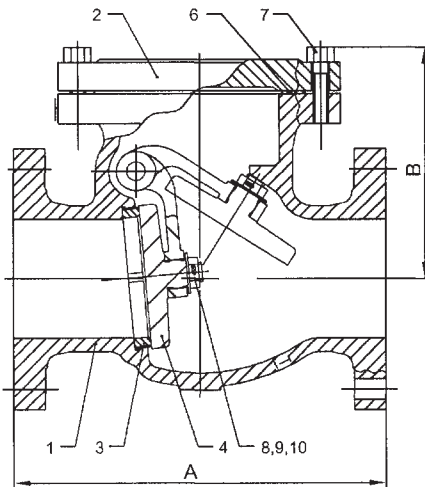
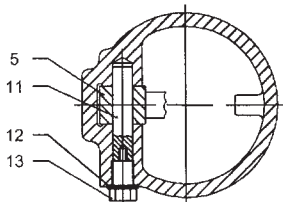
Model #12FSCZ
Class 125 (2" to 24")

STANDARD:

Design according to MSS SP-71
Pressure/Temperature Rating: ANSI B16.1
Face to Face Dimensions: ANSI B16.10
End Flange Dimensions: ANSI B16.1
Wall thickness: ANSI B16.1
Valves Tested According to API 598

WORKING PRESSURE:

2" to 12" - 125psi Steam, Basic Rating 200psi Cold Working Pressure
14" to 24" - 100psi Steam, Basic Rating 150psi Cold Working Pressure



NO.	PART NAME	MATERIAL
1	BODY	ASTM A126-B
2	BONNET	ASTM A126-B
3	SEAT RING	BRONZE ASTM B62
4	DISC	DUCTILE IRON + BRONZE
5	HINGE	DUCTILE IRON
6	GASKET	GRAPHITE
7	BOLTS	ASTM A307-B
8	NUTS	BRASS ASTM B16
9	WASHER	BRASS ASTM B16
10	PIN	STAINLESS STEEL
11	HINGE PIN	BRASS ASTM B16
12	GASKET	BRASS ASTM B16
13	PLUG	STEEL

SIZE	INCH	2	2½	3	4	5	6	8	10	12	14	16	18	20	24
	MM	50	65	80	100	130	150	200	250	300	350	400	450	500	600
A	INCH	8	8.5	9.5	11.5	13	14	19.5	24.5	27.5	31	36	38	42	46
	MM	203	216	241	292	330	356	495	622	698	787	914	965	1067	1169
B	INCH	6	6.38	6.13	7	8.88	11.13	13	15.13	17	19	21.25	17.19	19.25	25.88
	MM	152	162	156	180	226	282	331	384	434	485	541	437	489	657
Weight	lbs	24	37	44	75	120	128	229	481	701	875	1413	1727	2596	3520
	kgs	11	17	20	34	54	58	104	218	318	397	641	783	1178	1597

Cast Iron Swing Check

Model #12FSCZ-LW (Lever & Weight) Class 125 (2" to 24")

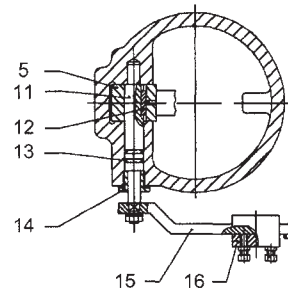


STANDARD:

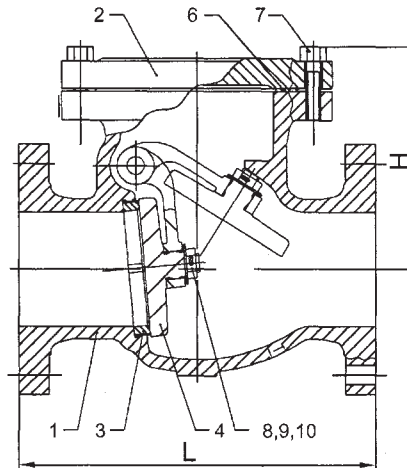
- Design according to MSS SP-71
- Pressure/Temperature Rating: ANSI B16.1
- Face to Face Dimensions: ANSI B16.10
- End Flange Dimensions: ANSI B16.1
- Wall thickness: ANSI B16.1
- Valves Tested According to API 598

WORKING PRESSURE:

- 2" to 12" - 125psi Steam, Basic Rating 200psi Cold Working Pressure
- 14" to 24" - 100psi Steam, Basic Rating 150psi Cold Working Pressure



NO.	PART NAME	MATERIAL
1	BODY	ASTM A126-B
2	BONNET	ASTM A126-B
3	SEAT RING	BRONZE ASTM B62
4	DISC	DUCTILE IRON + BRONZE
5	HINGE	DUCTILE IRON
6	GASKET	GRAPHITE
7	BOLTS	ASTM A307-B
8	NUTS	BRASS ASTM B16
9	WASHER	BRASS ASTM B16
10	PINS	STAINLESS STEEL
11	HINGE PINS	STAINLESS STEEL
12	KEY	STAINLESS STEEL
13	O-RING	NBR
14	GLAND	STEEL
15	LEVEL	STEEL
16	WEIGHT	STEEL



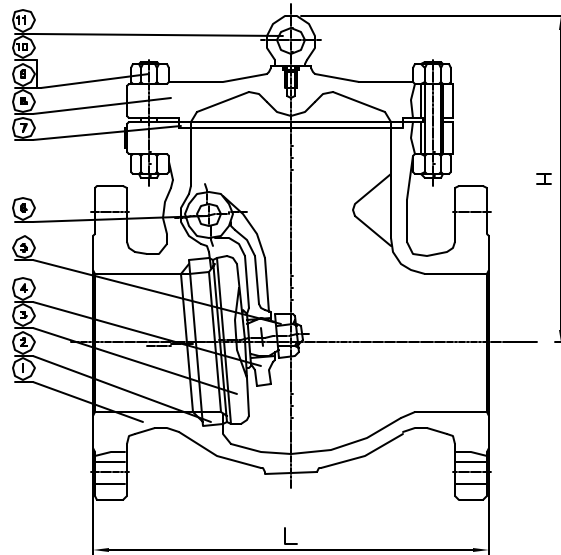
SIZE	INCH	2	2½	3	4	5	6	8	10	12	14	16	18	20	24
	MM	50	65	80	100	130	150	200	250	300	350	400	450	500	600
A	INCH	8	8.5	9.5	11.5	13	14	19.5	24.5	27.5	31	36	38	42	46
	MM	203	216	241	292	330	356	495	622	698	787	914	965	1067	1169
B	INCH	6	6.38	6.13	7	8.88	11.13	13	15.13	17	19	21.25	17.19	19.25	25.88
	MM	152	162	156	180	226	282	331	384	434	485	541	437	489	657
Weight	lbs	30	43	55	86	130	139	240	516	752	829	1148	1727	2596	3520
	kgs	14	20	25	39	59	63	109	234	341	376	521	783	1178	1597

Cast Steel Swing Check Valve

Class 150 Flanged (2" to 30") - 15FCHW

Class 150 Butt Weld (2" to 30") - 15BCHW

NO.	PART NAME	MATERIAL
1	BODY	A216 WCB
2	SEAT	A105+HF
3	DISC	WCB+F6
4	HINGE	A216 WCB
5	NUT	SS-410
6	PIN	SS-410
7	GASKET	Spiral Wound SS/Graphite
8	BONNET	A216 WCB
9	BOLT	A193 B7 Steel
10	NUT	A194 2H Steel
11	EYE BOLT	FS A105



Davis cast steel valves comply with the following applicable specifications: ANSI B16.10, ANSI B16.5, API 6D: Tested to API 598

Working Pressure: 285 WOG
 Body Testing Pressure: 428 psi
 Seat Testing Pressure: 314 psi
 Air Testing Pressure: 80 psi

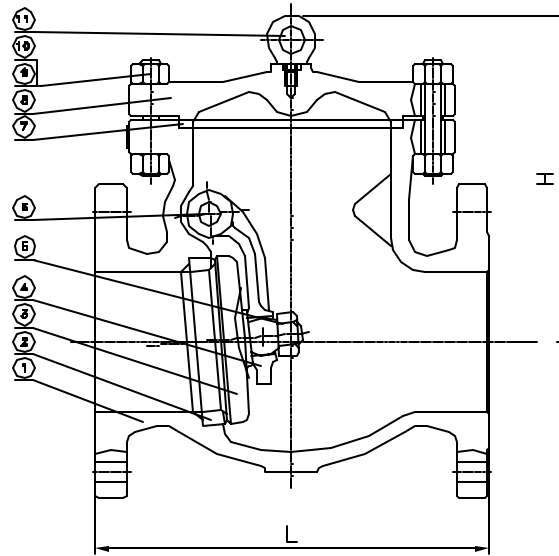
NPS d	in	2	2-1/2	3	4	5	6	8	10	12	14	16	18	20	24	30
	mm	51	64	76	102	127	152	203	254	305	337	387	438	489	591	743
L (RF & BW)	in	8	8.5	9.5	11.5	13	14	19.5	24.5	27.5	31	34	38.5	38.5	51	60
	mm	203	216	241	292	330	356	495	622	698	787	864	978	978	1295	1524
H	in	5.31	6.1	6.61	9.37	9.8	10.91	13.35	15.67	20.67	21.77	23	26.3	28.03	29.13	38.6
	mm	135	155	168	235	249	277	339	398	525	553	584	668	712	740	980
WT (Lbs)	RF	37	46	64	93	152	163	238	390	622	620	1257	1466	1984	2996	5814
	BW	29	37	53	79	126	137	212	348	525	714	1065	1208	1724	2535	4942

Cast Steel Swing Check Valve

Class 300 Flanged (2" to 24") - 30FCHW

Class 300 Butt Weld (2" to 24") - 30BCHW

NO.	PART NAME	MATERIAL
1	BODY	A216 WCB
2	SEAT	A105+HF
3	DISC	WCB+F6
4	HINGE	A216 WCB
5	NUT	SS-410
6	PIN	SS-410
7	GASKET	Spiral Wound SS/Graphite
8	BONNET	A216 WCB
9	BOLT	A193 B7 Steel
10	NUT	A194 2H Steel
11	EYE BOLT	FS A105



Davis cast steel valves comply with the following applicable specifications: ANSI B16.10, ANSI B16.5, API 6D: Tested to API 598

Working Pressure: 740 WOG
 Body Testing Pressure: 1110 psi
 Seat Testing Pressure: 814 psi
 Air Testing Pressure: 80 psi

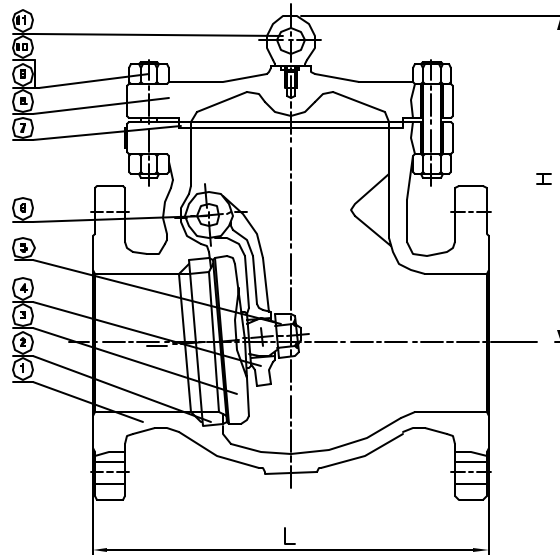
NPS d	in	2	2-1/2	3	4	5	6	8	10	12	14	16	18	20	24
	mm	51	64	76	102	127	152	203	254	305	337	387	432	483	584
L (RF & BW)	in	10.5	11.5	12.5	14	15.75	17.5	21	24.5	28	33	34	38.5	40	53
	mm	267	292	318	356	400	444	533	622	711	838	864	978	1016	1346
H	in	6.22	6.57	7.4	10.2	11.06	12.56	15.79	19.02	21.85	23.03	24.21	25.31	26.81	27.95
	mm	158	167	188	259	281	319	401	483	555	585	615	643	681	710
WT (Lbs)	RF	46	71	95	134	185	289	470	847	990	1499	1852	2280	2910	4321
	BW	35	53	77	97	134	231	368	600	827	1235	1565	1825	2359	3487

Cast Steel Swing Check Valve

Class 600 Flanged (2" to 24") - 60FCHW

Class 600 Butt Weld (2" to 24") - 60BCHW

NO.	PART NAME	MATERIAL
1	BODY	A216 WCB
2	SEAT	A105+HF
3	DISC	WCB+F6
4	HINGE	A216 WCB
5	NUT	SS-410
6	PIN	SS-410
7	GASKET	Spiral Wound SS/Graphite
8	BONNET	A216 WCB
9	BOLT	A193 B7 Steel
10	NUT	A194 2H Steel
11	EYE BOLT	FS A105



Davis cast steel valves comply with the following applicable specifications: ANSI B16.10, ANSI B16.5, API 6D: Tested to API 598

Working Pressure: 1480 WOG
 Body Testing Pressure: 2220 psi
 Seat Testing Pressure: 1628 psi
 Air Testing Pressure: 80 psi

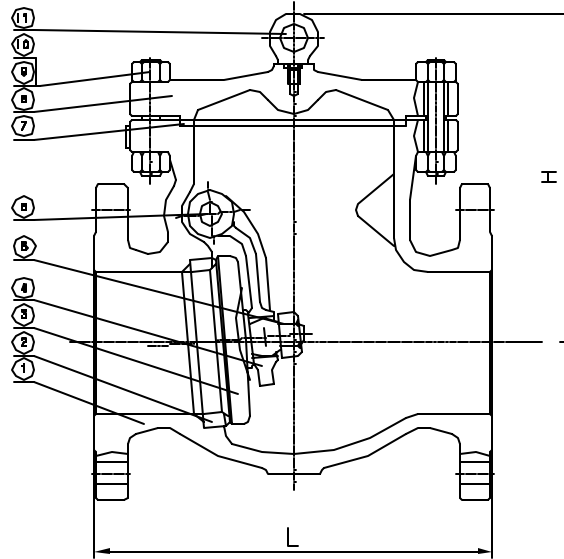
NPS d	in	2	2-1/2	3	4	5	6	8	10	12	14	16	18	20	24
	mm	51	64	76	102	127	152	200	248	298	327	375	419	464	559
L (RF & BW)	in	11.5	13	14	17	20	22	26	31	33	35	39	43	47	55
	mm	292	330	356	432	508	559	660	787	838	889	991	1092	1194	1397
H	in	7.76	8.15	9.09	11.06	12.56	14.25	17.2	19.29	20.79	22.52	25.98	28.35	29.37	37.8
	mm	197	207	231	281	319	362	437	490	528	572	660	720	746	960
WT (Lbs)	RF	79	108	150	245	362	507	917	1484	1929	2081	2690	3571	4674	6834
	BW	62	88	126	183	335	421	796	1197	1698	1704	2238	2976	3858	5556

Cast Steel Swing Check Valve

Class 900 Flanged (2" to 16") - 90FCHW

Class 900 Butt Weld (2" to 16") - 90BCHW

NO.	PART NAME	MATERIAL
1	BODY	A216 WCB
2	SEAT	A105+HF
3	DISC	WCB+F6
4	HINGE	A216 WCB
5	NUT	SS-410
6	PIN	SS-410
7	GASKET	Spiral Wound SS/Graphite
8	BONNET	A216 WCB
9	BOLT	A193 B7 Steel
10	NUT	A194 2H Steel
11	EYE BOLT	FS A105



Davis cast steel valves comply with the following applicable specifications: ANSI B16.10, ANSI B16.5, API 6D: Tested to API 598

Working Pressure: 2220 WOG
 Body Testing Pressure: 3330 psi
 Seat Testing Pressure: 2442 psi
 Air Testing Pressure: 80 psi

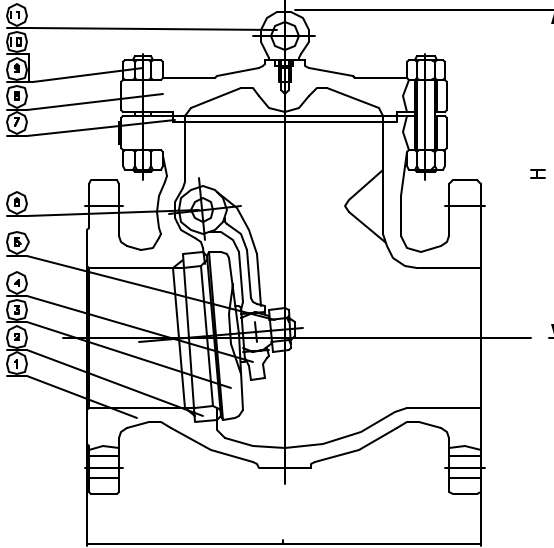
NPS d	in	2	2-1/2	3	4	6	8	10	12	14	16
	mm	47	57	73	98	146	190	238	282	311	356
L (RF & BW)	in	14.5	16.5	15	18	24	29	33	38	40.5	44.5
	mm	368	410	381	457	610	737	838	965	1029	1130
H	in	9.45	10.24	10.24	12.6	15.04	20.87	22.05	23.23	24.8	27.56
	mm	240	260	260	320	382	530	560	590	630	700
WT (Lbs)	RF	152	205	201	320	571	1246	1984	2646	3307	4696
	BW	115	163	154	247	481	988	1616	2150	2734	3880

Cast Steel Swing Check Valve

Class 1500 Flanged (2" to 8") - 150FCHW

Class 1500 Butt Weld (2" to 8") - 150BCHW

NO.	PART NAME	MATERIAL
1	BODY	A216 WCB
2	SEAT	A105+HF
3	DISC	WCB+F6
4	HINGE	A216 WCB
5	NUT	SS-410
6	PIN	SS-410
7	GASKET	Spiral Wound SS/Graphite
8	BONNET	A216 WCB
9	BOLT	A193 B7 Steel
10	NUT	A194 ZH Steel
11	EYE BOLT	FS A105



Davis cast steel valves comply with the following applicable specifications: ANSI B16.10, ANSI B16.5, API 6D: Tested to API 598

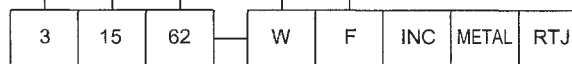
Working Pressure: 3705 WOG
 Body Testing Pressure: 5560 psi
 Seat Testing Pressure: 4075 psi
 Air Testing Pressure: 80 psi

NPS	in	2	2-1/2	3	4	6	8
	d	mm	47	57	73	98	146
L (RF & BW)	in	14.5	16.5	18.5	21.5	28	33
	mm	371	422	472	549	711	842
H	in	12.2	12.6	13	14	15.75	20.9
	mm	310	320	330	355	400	530
WT (Lbs)	RF	152	229	308	510	1078	2178
	BW	108	183	244	407	825	1767

Wafer Check Valves

ORDERING INSTRUCTIONS

SIZE	PRESSURE RATING	TYPE	BODY/DISC MATERIAL		
			Suffix	ASTM Grade	Category
2"	12 - 125#	60 - Cast Iron	W - WCB		- Cast Steel
2½"	15 - 150#	61 - Cast Steel, Metal Seat	Z - A126-B		- Cast Iron
3"	30 - 300#	62 - Cast Steel, Rubber Seat	F - CF8M		- 316
4"	60 - 600#	63 - Stainless Steel, Metal Seat			
5"	90 - 900#	64 - Stainless Steel, Rubber Seat	A - CN7M		- Alloy 20
6"	150 - 1500#		C - CF8		- 304
8"	250 - 2500#		CL - CF3		- 304L
10"			CN - CF8-C		- 347
12"			CT - CF8-T		- 321
14"			D - CD4MCu		- Duplex-SS
16"			FL - CF3M		- 316L
18"			G - CG8M		- 317
20"			GL - CG3M		- 317L
24"			HB - N12MV		- Hastelloy B
30"			HC - CW12MW		- Hastelloy C
36"			IN - CY40		- Inconel
			L - LCC		- LCC
			M1 - M35-1		- Monel
			M2 - M35-2		- Monel
			M3 - M35-H		- Monel
			N - CZ100		- Nickel
			SM - CK3M CuN		- 254SMO



SPRING	SEAT	OPTIONS	Example:
Inconel X-750 316 Monel Hastelloy C Alloy 20	Metal Buna EPDM Viton Teflon	RTJ - End Connection LUG - Lugged Body FE - Flanged Body NACE - NACE	To order a 3" 150# RTJ CS metal-seated Wafer Check valve with Inconel X-750 spring and 316 SS disc, use ordering number 31562-WF INC METAL RTJ

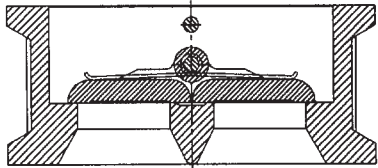
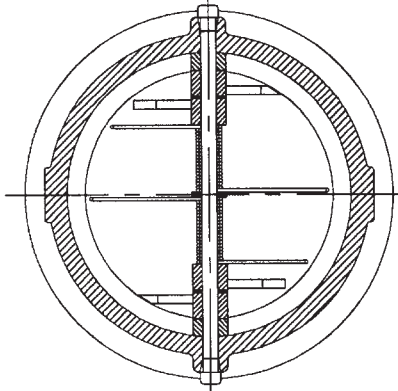
Wafer Check Valve Features



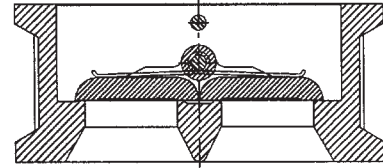
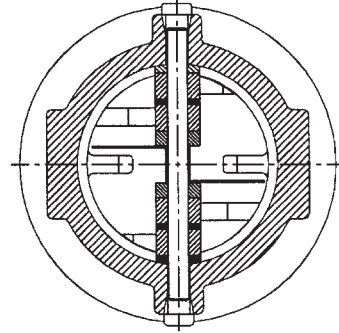
Design Features

- **Economical, lightweight, compact design - significantly lighter and less expensive than comparable swing check valves**
- **Easy to install and maintain**
- **Smooth, spring-assisted closing reduces water hammer**
- **Long-legged springs allow plates to open and close without seat scrubbing**
- **Rugged Inconel X-750 spring is standard in all steel and stainless steel valves**
- **Innovative 316 SS seat, standard in all WCB metal-seated valves, combined with standard 316 SS plates provides a true all stainless steel seating area**
- **All WCB and 316 SS valves conform to NACE MR-01-75**
- **Manufactured to API 594 and tested to API 598**

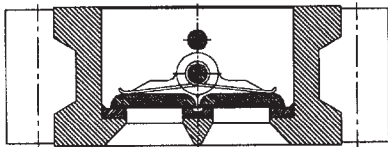
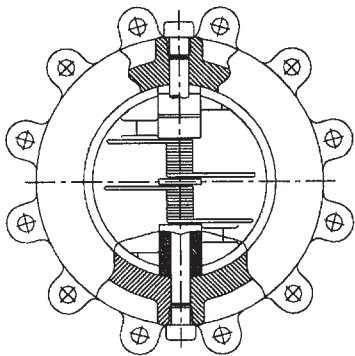
Wafer Check Valve Models



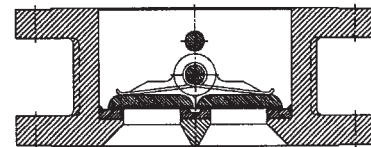
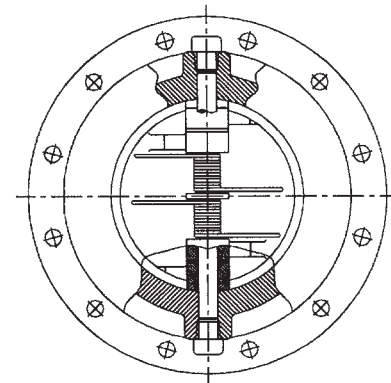
WAFER STYLE - 6" to 36"



WAFER STYLE - 2" to 4"

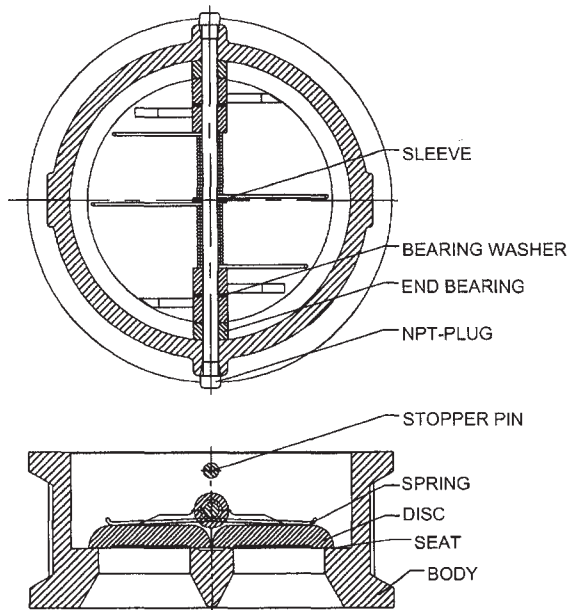


LUG STYLE



FLANGED STYLE

Standard Construction Materials



DESIGN SPECIFICATIONS

General Valve Design: API 594

Working Pressure: ASME B16.34

Flanges: ASME B16.34

Face to Face Dimension: API 594

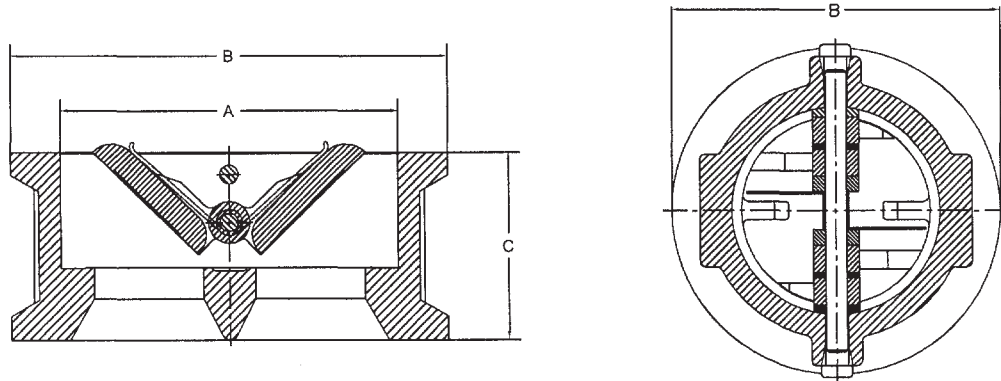
Materials: ASTM

Valve Testing: API 598

PART NAME	CAST IRON / BRONZE	CAST IRON / 316 SS
BODY	A 126 CAST IRON	A 126 CAST IRON
DISC	ALUMINUM BRONZE	A 351 CF8M
SPRING	316	316
STOPPER PIN	316	316
NPT-PLUG	316	316
END BEARING	316	316
BEARING WASHER	316	316
SLEEVE	316	316
SEAT	BUNA-N OR VITON	BUNA-N OR VITON

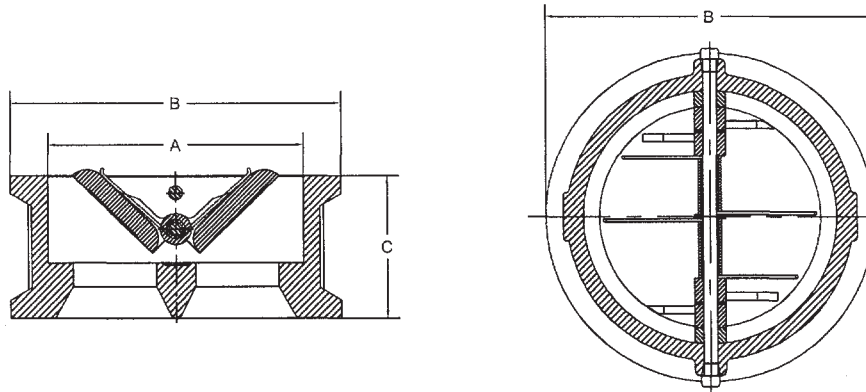
PART NAME	WCB / 316 SS	316 SS / 316 SS	CN7M / CN7M
BODY	A 216-WCB	A 351-CF8M	CN7M
DISC	A 351-CF8M	A 351-CF8M	CN7M
SPRING	INCONEL X-750	INCONEL X-750	INCONEL X-750
STOPPER PIN	316	316	ALLOY 20
NPT-PLUG	316	316	ALLOY 20
END BEARING	316	316	ALLOY 20
BEARING WASHER	316	316	ALLOY 20
SLEEVE	316	316	ALLOY 20
SEAT	316 OR VITON	316 OR VITON	A20 OR VITON

ANSI Installation Dimensions



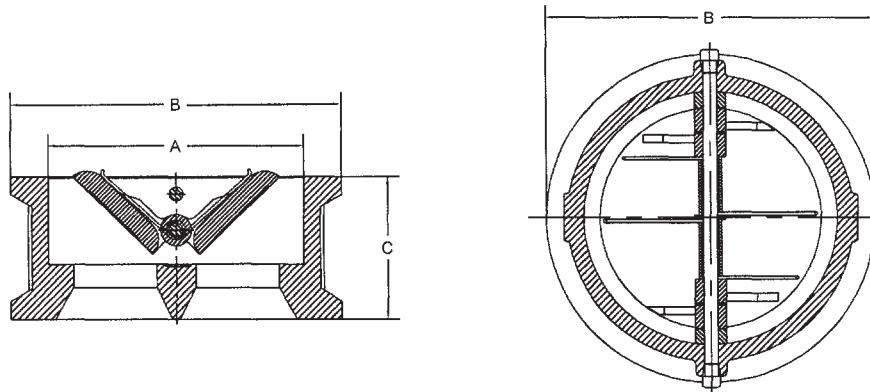
SIZE	CLASS	A		B		C		Weight	
		INCH	MM	INCH	MM	INCH	MM	LBS	KGS
2" 50mm	125	2.375	60.3	4.125	105	2.125	54	4	1.8
	150	2.375	60.3	4.125	105	2.375	60.5	6	2.7
	300	2.375	60.3	4.375	111	2.375	60.5	7	3.2
	600	2.375	60.3	4.375	111	2.375	60.5	7	3.2
	900	2.375	60.3	5.625	143	2.75	69.85	14	6.4
	1500	2.375	60.3	5.625	143	2.75	69.85	14	6.4
2-1/2" 65mm	2500	2.375	60.3	5.75	146	2.75	69.85	15	6.8
	125	2.875	73	4.875	124	2.125	54	6	2.7
	150	2.875	73	4.875	124	2.62	66.55	10	4.5
	300	2.875	73	5.125	130	2.62	66.55	11	5
	600	2.875	73	5.125	130	2.62	66.55	11	5
	900	2.875	73	6.5	165	3.25	83	16	7.3
3" 80mm	1500	2.875	73	6.5	165	3.25	83	16	7.3
	2500	2.875	73	6.625	168	3.25	83	22	10
	125	3.5	88.8	5.375	137	2.25	57	7	3.2
	150	3.5	88.8	5.375	137	2.875	73.15	13	5.9
	300	3.5	88.8	5.875	149	2.875	73.15	15	6.8
	600	3.5	88.8	5.875	149	2.875	73.15	15	6.8
4" 100mm	900	3.5	88.8	6.625	168	3.25	82.55	24	10.9
	1500	3.5	88.8	6.875	174.6	3.25	82.55	25	11.3
	2500	3.5	88.8	7.75	197	3.375	85.85	31	14.1
	125	4.5	114.8	6.875	175	2.5	64	12	5.4
	150	4.5	114.8	6.875	175	2.875	73.15	17	7.7
	300	4.5	114.8	7.125	181	2.875	73.15	18	8.2
5" 125mm	600	4.5	114.8	7.625	194	3.12	79.25	26	11.8
	900	4.5	114.8	8.125	206.4	4	101.6	40	18.1
	1500	4.5	114.8	8.25	209.6	4	101.6	43	19.5
	2500	4.5	114.8	9.25	235	4.12	104.7	54	24.5
5" 125mm	125	5.5	141	7.75	197	2.75	70	15	6.8
	150	5.62	142.8	7.75	197	3.38	86	27	12.2
	300	5.62	142.8	8.5	216	3.38	86	35	15.9
	600	5.62	142.8	9.5	241	4.125	105	50	22.7

ANSI Installation Dimensions



SIZE	CLASS	A		B		C		Weight	
		INCH	MM	INCH	MM	INCH	MM	LBS	KGS
6" 150mm	125	6.625	168	8.75	222	3	76	20	9
	150	6.625	168	8.75	222	3.875	98.55	35	16
	300	6.625	168	9.875	251	3.875	98.55	45	20
	600	6.625	168	10.5	267	5.375	136.7	80	36
	900	6.625	168	11.38	289	6.25	158.8	115	52
	1500	6.625	168	11.13	282.6	6.25	158.8	110	50
	2500	6.625	168	12.5	318	6.25	158.8	190	86
8" 200mm	125	8.625	219.3	11	279	3.75	95	40	18
	150	8.625	219.3	11	279	5	127	70	32
	300	8.625	219.3	12.13	308	5	127	82	37
	600	8.625	219.3	12.64	321	6.5	165.1	135	61
	900	8.625	219.3	14.13	358.8	8.125	206.3	229	104
	1500	8.625	219.3	13.88	352.4	8.125	206	219	99
	2500	8.625	219.3	15.25	387	8.125	206	285	129
10" 250mm	125	10.75	273.1	13.38	340	4.25	108	65	29
	150	10.75	273.1	13.38	340	5.75	146	106	48
	300	10.75	273.1	14.25	362	5.75	146	125	57
	600	10.75	273.1	15.75	400	8.375	212.9	238	108
	900	10.75	273.1	17.13	435	9.5	241.3	388	176
	1500	10.75	273.1	17.13	435	9.75	247.7	397	180
	2500	10.75	273.1	18.75	476	10	254	502	228
12" 300mm	125	12.75	324	16.13	410	5.625	143	110	50
	150	12.75	324	16.13	410	7.12	180.8	172	78
	300	12.75	324	16.63	422	7.12	180.8	200	91
	600	12.75	324	18	457	9	228.6	333	151
	900	12.75	324	19.63	498.5	11.5	292.1	540	245
	1500	12.75	324	20.5	520.7	12	305	725	329
	2500	12.75	324	21.63	549	12	305	963	437
14" 350mm	125	14	355.6	17.75	451	7.25	184.2	183	83
	150	14	355.6	17.75	451	7.25	184.2	200	91
	300	14	355.6	19.13	486	8.75	222.3	325	147
	600	14	355.6	19.38	492	10.75	273	455	206
	900	14	355.6	20.5	520.7	14	355.6	**	**
	1500	14	355.6	22.75	577.9	14	355.6	**	**

ANSI Installation Dimensions



SIZE	CLASS	A		B		C		Weight	
		INCH	MM	INCH	MM	INCH	MM	LBS	KGS
16" 400mm	125	16	406	20.25	514	7.5	190.5	255	116
	150	16	406	20.25	514	7.5	190.5	275	125
	300	16	406	21.25	540	9.12	213.6	415	188
	600	16	406	22.25	565	12	304.8	640	290
	900	16	406	22.63	574.7	15.12	384	**	**
18" 450mm	125	18	457	21.63	549	8	203.2	315	143
	150	17	433	21.63	549	8	203.2	315	143
	300	17	433	23.5	597	10.38	263.6	555	252
	600	17	433	24.13	613	14.25	362	890	404
	900	17	433	25.13	638.2	17.75	450.9	1318	598
20" 500mm	125	20	508	23.88	606	8.375	213	380	172
	150	20	508	23.88	606	8.62	219	435	197
	300	20	508	25.75	654	11.5	292.1	725	329
	600	20	508	26.88	683	14.5	368.3	1120	508
	900	17	433	25.13	638.2	17.75	450.9	1426	647
24" 600mm	125	24	610	28.25	718	8.75	222	575	261
	150	24	610	28.25	718	8.75	222	620	281
	300	24	610	30.5	775	12.5	318	1100	499
	600	24	610	31.13	791	17.25	438	2040	925
30" 750mm	125	30	762	34.75	883	12	305	1070	485
	150	30	762	34.75	883	13	330	1230	558
	300	30	762	37.5	953	15.69	398	2050	930
36" 900mm	125	36	915	41.25	1048	14.5	368	1962	890
	150	36	915	41.25	1048	15.25	387	2017	915

Stainless Steel Swing Check

Model #30-150

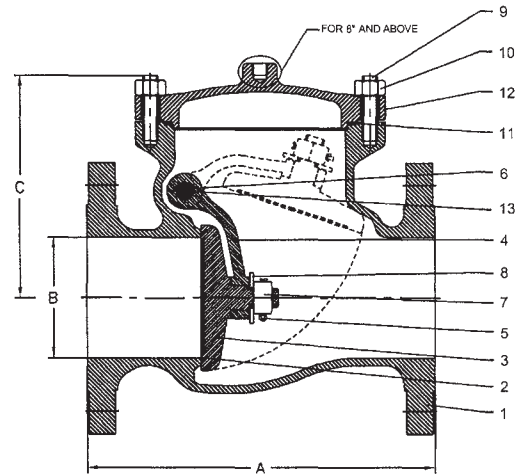
Class 150 (1/2" to 12")

- Unique full port
- Heavy duty cast construction
- Bolted cover
- Precision machined self-aligning disc ensures perfect seating of disc against body seat
- Available in a wide range of alloys



**Designed and tested to
ANSI B16.34, API 598,
API 6D face to face ANSI B16.10
Flanges to ANSI B16.5**

NO.	PART NAME	A 351-CF8M	A 351-CN7M
1	BODY	A 351-CF8M	A 351-CN7M
2	SEAT	A 351-CF8M	A 351-CN7M
3	DISC	A 351-CF8M	A 351-CN7M
4	DISC CARRIER	A 351-CF8M	A 351-CN7M
5	COTTER PIN	A 276-316	A 351-CN7M
6	PIN	A 276-316	A 351-CN7M
7	HEX NUT	A 194-8M	A 351-CN7M
8	PLAIN WASHER	A 276-316	A 351-CN7M
9	STUD	A 193-B8	A 193-B8M
10	HEX NUT	A 194-8	A 194-8M
11	GASKET	PTFE	PTFE
12	COVER	A 351-CF8M	A 351-CN7M
13	NPT PIN PLUG	SS 316	A 351-CN7M



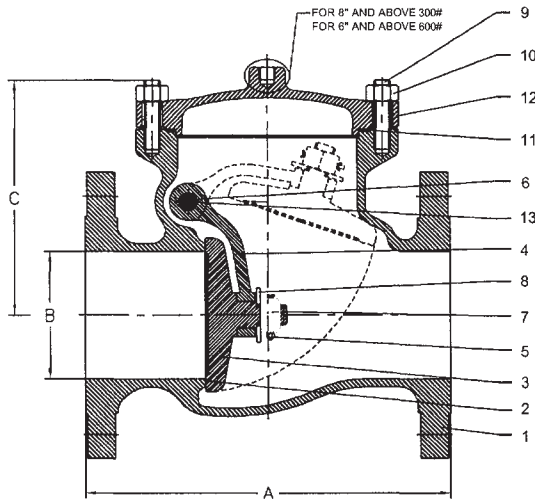
SIZE	INCH	1/2	3/4	1	1 1/2	2	2 1/2	3	4	5	6	8	10	12
	MM	15	20	25	40	50	65	80	100	125	150	200	250	300
A	INCH	4.25	4.62	5.00	6.50	8.00	8.50	9.50	11.50	13.00	14.00	19.50	24.50	27.5
	MM	108.0	117.4	127.0	165.1	203.2	215.9	241.3	292.1	330.2	355.6	495.3	622.3	698.5
A (BWE)	INCH					8.00	8.50	9.50	11.50	13.00	14.00	19.50	24.50	27.5
	MM					203.2	215.9	241.3	292.1	330.2	355.6	495.3	622.3	698.5
B	INCH	1/2	3/4	1	1.5	2	2.5	3	4	5	6	8	10	12
	MM	15	20	25	38	51	64	76	102	127	152	203	254	305
C	INCH	3.15	3.15	3.15	3.46	5.07	5.6	6.3	7.4	8.0	8.86	10.73	12.6	15.9
	MM	80	80	80	88	129	142	160	188	203	225	272.5	320	403
Weight	LBS	7	8	11	15	23	33	48	74	108	134	233	343	503
	KGS	3	4	5	7	10	15	22	34	49	61	106	156	228

Stainless Steel Swing Check

Designed and tested to
ANSI B16.34, API 598,
API 6D face to face ANSI B16.10
Flanges to ANSI B16.5

Model #30-300, 30-600
Class 300-600 (1" to 12")

Unique full port
Heavy duty cast construction
Bolted cover
Precision machined self-aligning disc ensures perfect
seating of disc against body seat
Available in a wide range of alloys



NO.	PART NAME	A 351-CF8M	A 351-CN7M
1	BODY	A 351-CF8M	A 351-CN7M
2	SEAT	A 351-CF8M	A 351-CN7M
3	DISC	A 351-CF8M	A 351-CN7M
4	DISC CARRIER	A 351-CF8M	A 351-CN7M
5	COTTER PIN	A 276-316	A 351-CN7M
6	PIN	A 276-316	A 351-CN7M
7	HEX NUT	A 194-8M	A 351-CN7M
8	PLAIN WASHER	A 276-316	A 351-CN7M
9	STUD	A 193-B8	A 193-B8M
10	HEX NUT	A 194-8	A 194-8M
11	GASKET	PTFE	PTFE
12	COVER	A 351-CF8M	A 351-CN7M
13	NPT PIN PLUG	SS 316	A 351-CN7M

CLASS #300												CLASS #600											
SIZE	INCH	1	1½	2	2½	3	4	6	8	10	12	SIZE	INCH	1	1½	2	2½	3	4	6	8	10	12
	MM	25	40	50	65	80	100	150	200	250	300		MM	25	40	50	65	80	100	150	200	250	300
A	INCH	8.5	9.5	10.5	11.5	12.5	14.0	17.5	21.0	24.50	28.00	A	INCH	8.5	9.5	11.50	13.00	14.00	17.00	22.00	26.00	31.00	33.00
	MM	215.9	241.3	266.7	292.1	317.5	355.6	444.5	533.4	622.3	711.2		MM	215.9	241.3	292.1	330.2	355.6	431.8	558.8	660.4	787.4	838.2
A (BWE)	INCH	8.5	9.5	10.5	11.5	12.5	14.0	17.5	21.0	24.50	28.00	A (BWE)	INCH	8.5	9.5	11.50	13.00	14.00	17.00	22.00	26.00	31.00	33.00
	MM	215.9	241.3	266.7	292.1	317.5	355.6	444.5	533.4	622.3	711.2		MM	215.9	241.3	292.1	330.2	355.6	431.8	558.8	660.4	787.4	838.2
B	INCH	1	1.5	2	2.5	3	4	6	8	10	12	B	INCH	1	1.5	2	2.5	3	4	6	7.87	9.75	11.75
	MM	25	38	51	64	76	102	152	203	254	305		MM	25	40	51	65	76	102	152	200	248	299
C	INCH	3.15	3.46	5.9	6.4	7.3	8.1	9.6	10.73	12.6	15.9	C	INCH	3.15	3.46	5.9	6.8	7.4	8.5	10.0	10.73	12.6	16.5
	MM	80	88	149.4	162.6	185.8	206.4	244.6	272.5	320	403		MM	80	88	149.4	173.0	189.0	215.9	254.0	272.5	320	419
Weight	LBS	19	23	36	53	75	117	205	337	553	835	Weight	LBS	31	47	63	-	119	235	346	704	1177	1595
	KGS	9	10	16	24	34	53	93	153	251	379		KGS	14	21	29	-	54	107	157	319	534	723

Stainless Steel Swing Check

Model #30-900, 30-1500, 30-2500

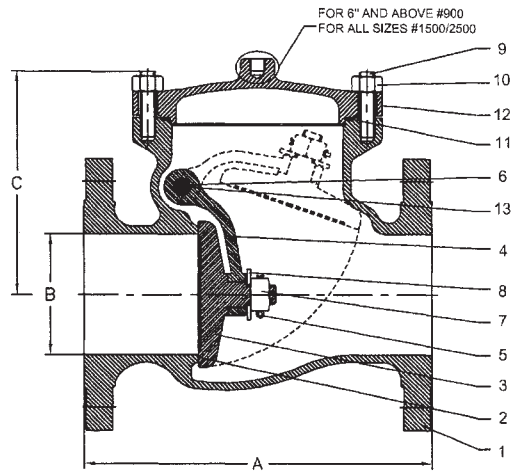
Class 900 (2" to 8")

Class 1500 (2" to 6")

Class 2500 (2" to 4")

Unique full port
Heavy duty cast construction
Bolted cover
Precision machined self-aligning disc ensures perfect seating of disc against body seat
Available in a wide range of alloys

**Designed and tested to
 ANSI B16.34, API 598,
 API 6D face to face ANSI B16.10
 Flanges to ANSI B16.5**



NO.	PART NAME	A 351-CF8M	A 351-CN7M
1	BODY	A 351-CF8M	A 351-CN7M
2	SEAT	A 351-CF8M	A 351-CN7M
3	DISC	A 351-CF8M	A 351-CN7M
4	DISC CARRIER	A 351-CF8M	A 351-CN7M
5	COTTER PIN	A 276-316	A 351-CN7M
6	PIN	A 276-316	A 351-CN7M
7	HEX NUT	A 194-8M	A 351-CN7M
8	PLAIN WASHER	A 276-316	A 351-CN7M
9	STUD	A 193-B8	A 193-B8M
10	HEX NUT	A 194-8	A 194-8M
11	GASKET	PTFE	PTFE
12	COVER	A 351-CF8M	A 351-CN7M
13	NPT PIN PLUG	SS 316	A 351-CN7M

CLASS #900							CLASS #1500						CLASS #2500				
SIZE	INCH	2	3	4	6	8	SIZE	INCH	2	3	4	6	SIZE	INCH	2	3	4
	MM	50	80	100	150	200		MM	50	80	100	150		MM	50	80	100
A	INCH	14.5	15.0	18.0	24.0	29.0	A	INCH	14.5	18.5	21.5	27.75	A	INCH	17.75	22.75	26.50
	MM	368.3	381.0	457.2	609.6	736.6		MM	368.3	469.9	546.1	704.85		MM	450.8	577.8	673.1
B	INCH	1.87	2.87	3.87	5.75	7.5	B	INCH	1.87	2.75	3.62	5.37	B	INCH	1.50	2.25	2.87
	MM	47.49	72.89	98.29	146.1	190.5		MM	47.49	69.85	91.94	136.34		MM	38.10	57.1	72.8
C	INCH	6.9	7.4	8.5	11.0	11.4	C	INCH	6.9	9.5	9.5	11.4	C	INCH	9.05	11.25	12.6
	MM	176.3	189.0	215.9	279.4	290.4		MM	176.3	241.3	241.3	288.9		MM	230	286	320



Stainless Steel Tilting Disc Check Valve

Model #31
150# CWP Design (2" to 24")

Precision machined tilting disc and seat for tight shutoff in back flow direction

Heavy duty 3-piece design allows the valve to be renewed with a seat and disc change

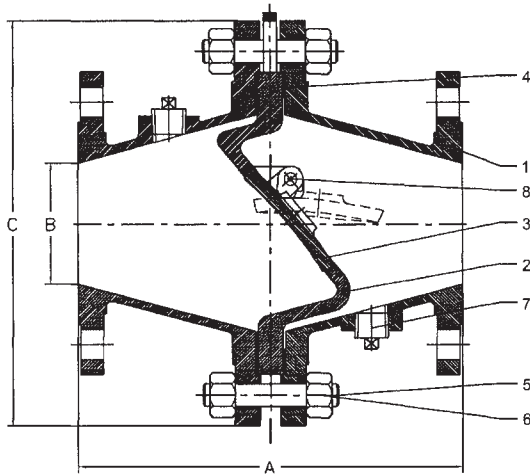
Offset center pivoted disc aids in quick opening and closing without slamming

150 PSI working pressure also operates at low pressure differentials

Can be mounted in any position from horizontal to vertical as long as fluid flow is upward

Large opening at seat for maximum flow rate

Available in a wide range of alloys



**Designed to ANSI B16.34,
tested to API 598. Flanges
to ANSI B16.5**

NO.	PART NAME	A 351-CF8	A 351-CF8M	A 351-CG8M
1	BODY	A 351-CF8	A 351-CF8M	A 351-CG8M
2	SEAT	A 351-CF8	A 351-CF8M	A 351-CG8M
3	DISC	A 351-CF8	A 351-CF8M	A 351-CG8M
4	GASKET	PTFE	PTFE	PTFE
5	STUD	A 193-B8	A 193-B8	A 193-B8M
6	HEX NUT	A 194-8	A 194-8	A 194-8M
7	NPT PLUG	SS 304	SS 316	A 276-317
8	PIN	SS 304	SS 316	A 276-317

SIZE	INCH	2	2½	3	4	6	8	10	12	14	16	18	20	24
	MM	50	65	80	100	150	200	250	300	350	400	450	500	600
A	INCH	8	8.5	9.5	11.5	14.0	18.0	21.75	25.5	28.0	30.0	31.0	32.5	34.0
	MM	203.2	216.0	241.0	292.0	356.0	458.0	552.0	648.0	711.0	762.0	787.0	825.0	864.0
B	INCH	2	2.5	3	4	6	8	10	12	13.25	15.25	17.25	19.25	23.25
	MM	51	64.0	76	102	152	203	254	305	337	387	438	489	591
C	INCH	8.5	9.0	10.0	11.0	13.5	16.0	19.0	21.0	23.5	25.0	27.5	32.0	38.75
	MM	217.0	228.6	254.0	279.0	343.0	406.0	483.0	533.0	597.0	635.0	698.0	813.0	984.0