

DOMINION CONTROLS

CAST STAINLESS STEEL KNIFE GATE VALVE

Metal Seated and Resilient Seated

Model: SS90 with Air Cylinder Actuator

Solid one piece cast body and yoke in corrosion resistant stainless steel. 150 PSI working pressure. Available in 304 S.S. - 316 S.S. - 317L S.S.

Compact water configuration to TAPPI standard face to face. MSS SP-81

Designed to handle dense mixtures of stock and slurries. The shearing action of the knife gate cuts through solids and cleans the seat as it closes.

FULL PORT design.

Gate and seat are machined and fitted to provide shut off in one direction. Resilient seat and bidirectional shut off available.

Flanges match ANSI B16.5-150 lbs. standard with all tapped holes, serrated gasket faces.

Distributed by:



**Standard Valve All Holes
Tapped Thru Bolting
Upon Request**

DOMINION CONTROLS

1390-B Southside Dr
Salem, VA 23153
www.dominioncontrols.net

Phone: 540-444-2628
Toll Free: 866-281-1002
Fax: 540-444-2627
Email: john@dominioncontrols.net

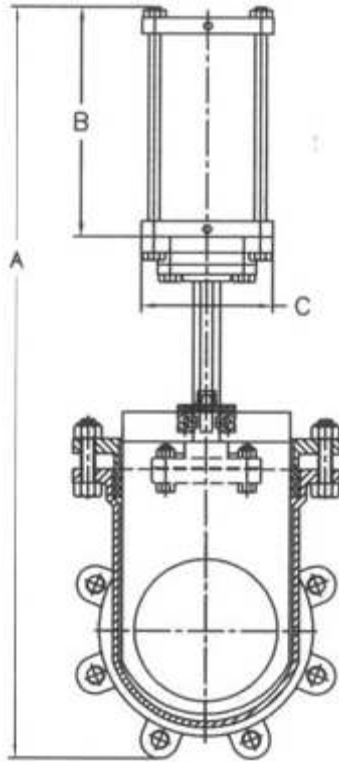
Effective February 2009

DOMINION CONTROLS

CAST STAINLESS STEEL KNIFE GATE VALVE

Metal Seated and Resilient Seated

Model: SS90 with Air Cylinder Actuator



PART NAME	MATERIALS A 351-CF8	MATERIALS A 351-CF8M	MATERIALS A 351-CG8M
Body	A 351-CF8	A 351-CF8M	A 351-CG8M
Gate	SS 304	SS 316	SS 317
Yoke	A 351-CF8	A 351-CF8	A 351-CF8
Stem	SS 304	SS 304	SS 304
Gland	A 351-CF8	A 351-CF8M	A 351-CG8M
Valve Packing	PTFE	PTFE	PTFE

SIZE (in)	3	4	6	8	10	12	14	16	18	20	24
Port Diameter	3.0	4.0	6.0	8.0	10.0	12.0	14	16	17.25	19.25	23.25
Face to Face	2.0	2.0	2.25	2.75	2.75	3.0	3.0	3.5	3.5	4.5	4.5
A	22.5	26.71	33.64	40.61	48.38	56.51	62.15	69.69	78.19	84.65	99.57
B	7.28	8.27	10.24	12.60	14.96	17.72	19.69	21.26	23.62	26.38	30.71
C	4.17	4.53	5.51	7.48	8.5	10.63	10.67	10.67	12.76	14.76	16.73
WGT (lbs)	54	67	112	154	246	372	423	516	713	1130	1210

DOMINION CONTROLS

1390-B Southside Dr
Salem, VA 23153
www.dominioncontrols.net

Phone: 540-444-2628
Toll Free: 866-281-1002
Fax: 540-444-2627
Email: john@dominioncontrols.net

DOMINION CONTROLS

CAST STAINLESS STEEL KNIFE GATE VALVE

Metal Seated and Resilient Seated

Model: SS90 with Handwheel Actuator

Other Actuation Available

Solid one piece cast body and yoke in corrosion resistant stainless steel. 150 PSI working pressure. Available in 304 S.S. - 316 S.S. - 317L S.S.

Compact water configuration to TAPPI standard face to face. MSS SP-81

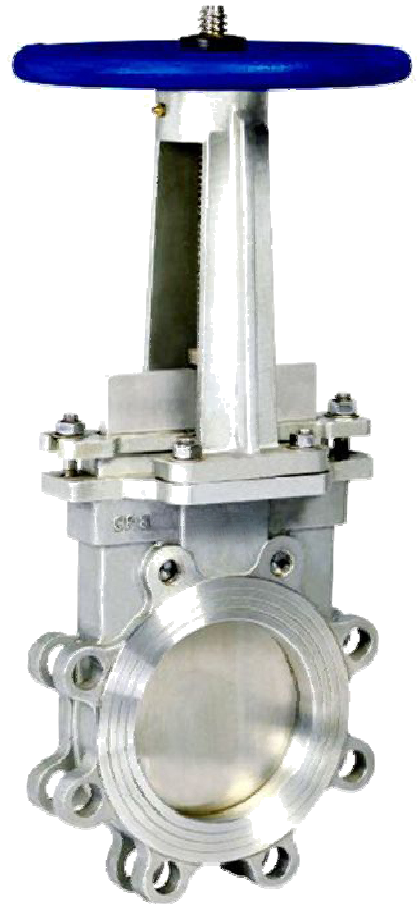
Designed to handle dense mixtures of stock and slurries. The shearing action of the knife gate cuts through solids and cleans the seat as it closes.

FULL PORT design.

Gate and seat are machined and fitted to provide shut off in one direction. Resilient seat and bidirectional shut off available.

Flanges match ANSI B16.5-150 lbs. Standard with all tapped holes, serrated gasket faces.

Distributed by:



**Standard Valve All Holes
Tapped Thru Bolting
Upon Request**

DOMINION CONTROLS

1390-B Southside Dr
Salem, VA 23153
www.dominioncontrols.net

Phone: 540-444-2628
Toll Free: 866-281-1002
Fax: 540-444-2627
Email: john@dominioncontrols.net

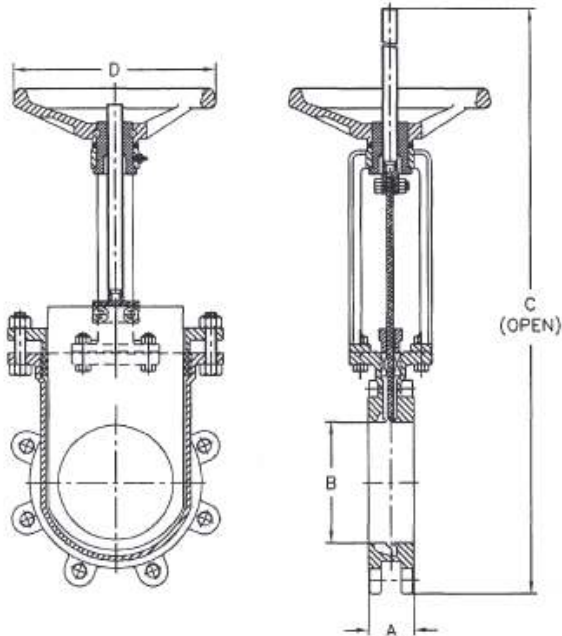
Effective February 2009

DOMINION CONTROLS

CAST STAINLESS STEEL KNIFE GATE VALVE

Metal Seated and Resilient Seated

Model: SS90 with Handwheel Actuator



PART NAME	MATERIALS	MATERIALS	MATERIALS
Body	A 351-CF8	A 351-CF8M	A 351-CG8M
Gate	SS 304	SS 316	SS 317
Yoke	A 351-CF8	A 351-CF8	A 351-CF8
Stem	SS 304	SS 304	SS 304
Gland	A 351-CF8	A 351-CF8M	A 351-CG8M
Valve Packing	PTFE	PTFE	PTFE
Stem Nut	Al Bronze	Al Bronze	Al Bronze
Handwheel	A 216-WCB	A 216-WCB	A 216-WCB

SIZE (in)	2	2.5	3	4	5	6	8	10	12	14	16	18	20	24	30	36
A	1.88	2.0	2.0	2.0	2.25	2.25	2.75	2.75	3.0	3.0	3.5	3.5	4.5	4.5	5.4	6.3
B	2.0	2.5	3.0	4.0	5.0	6.0	8.0	10.0	12.0	13.25	15.25	17.25	19.25	23.25	29.25	35.25
C	15.1	19.1	19.1	23.0	31.0	32.0	36.25	48.0	57.0	59.0	66.0	73.0	79.5	93.0	131.9	151.9
D	8.0	8.0	8.0	9.0	11.0	11.0	11.0	14.0	16.0	16.0	16.0	20.0	20.0	24.0	36.0	36.0
WGT (lbs)	22	-	31	38	47	59	84	124	170	201	294	372	503	671	1810	2252

DOMINION CONTROLS

1390-B Southside Dr
Salem, VA 23153
www.dominioncontrols.net

Phone: 540-444-2628
Toll Free: 866-281-1002
Fax: 540-444-2627
Email: john@dominioncontrols.net