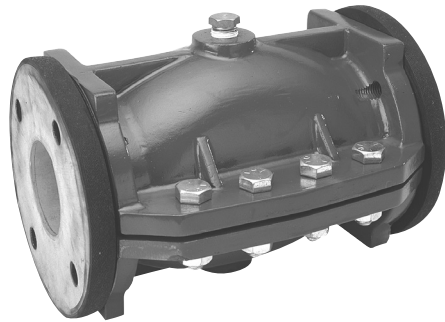




# Series PV30

## Split-Body Pinch Valve



### OPERATION

The Cla-Val Series PV30 Pinch Valves provide a positive means to control flow of hard to handle, aggressive media such as slurries, sludges and dry solids. The standard, pure gum elastomer sleeve, the only moving part of the valve, is contained in a cast iron or aluminum housing. The annular space surrounding the sleeve and the housing becomes the valve actuator when charged with air or water.

As pressurized air or water enters the annular space, the elastomer sleeve is squeezed shut. Venting the pressurized air or water opens the valve.

### MAINTENANCE

Cla-Val Split Body Pinch Valve is truly maintenance free because it has no mechanical moving parts. The only wetted part is the elastomer sleeve, made of reinforced polyester fabric for longer lasting cycle life. The sleeve is the only part needed for future replacement.

### Quality Features at No Extra Cost!

- Simple open/close operation
- Only one moving part
- Long cycle life
- Full port area
- Tight shutoff, even on trapped solids
- Suitable for vacuum service

### Heavy Duty Construction

- Cast Iron or Aluminum two piece
- Split body-easy sleeve replacement
- Extra thick wear lining
- Only reinforced polyester fabric is used for higher strength sleeves!
- Many elastomers to choose:
  - Food grade and double wall sleeves
  - Reduced port sleeves for throttling flow
  - Special service construction available

### Many Synthetic Sleeve Materials Available:

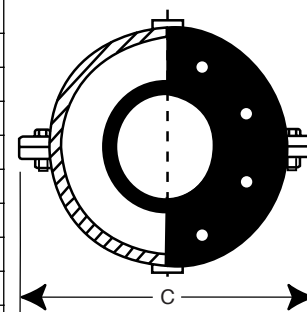
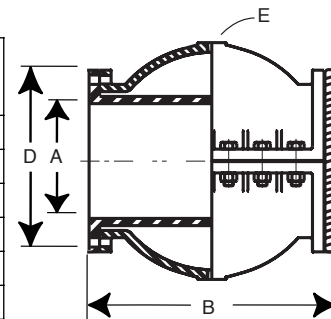
Neoprene - Chlorobutyl - Hypalon - Buna-N® - Ethylene Propylene Rubber - Urethane and Viton™

When ordering above sleeve materials add the first letter of the material after the model number.

i.e. Model PV30.10N (N for Neoprene)

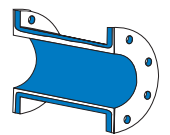
Series PV30 Split Body Pinch Valves

Model No.	Size A	Length B	Width C	Height D	Control Port E	Working Pressure	Weight Cast Iron	Weight Aluminum
PV30.050	1/2	3	4 1/4	3 1/2	1/4" NPT	125	5	2
PV30.075	3/4	4	5	3 7/8	1/4" NPT	125	7	4
PV30.100	1	3	5 3/4	4 1/4	1/4" NPT	125	9	6
PV30.150	1 1/2	3	6 1/2	5	1/4" NPT	125	17	8
PV30.2	2	9	8 1/2	7 1/8	1/2" NPT	125	32	15
PV30.250	2 1/2	10	9	7 1/2	1/2" NPT	125	40	20
PV30.3	3	12	10	8 1/8	1/2" NPT	125	51	23
PV30.4	4	12 1/2	11 3/4	10 5/8	1/2" NPT	100	70	34
PV30.5	5	16 1/2	11 3/4	11 1/2	1/2" NPT	75	137	60
PV30.6	6	20	15 1/4	13 1/4	1/2" NPT	75	180	88
PV30.8	8	22	17 1/2	18	1/2" NPT	75	257	120
PV30.10	10	24	19 3/8	22 3/8	1" NPT	50	440	195
PV30.12	12	26	21 1/2	25	1" NPT	50	485	252
PV30.14	14	30	24	27 1/2	1" NPT	50	825	291
PV30.16	16	34	25	29 1/2	1" NPT	50	933	340
PV30.18	18	39	28 1/4	32 5/8	1" NPT	25	1300	560
PV30.20	20	43	29	36 1/2	1" NPT	25	1555	670
PV30.24	24	51	37 1/2	47	1" NPT	25	2525	790

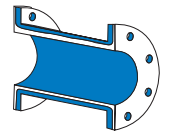


Sleeves Available in Different Styles.

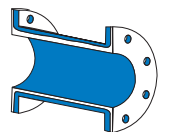
Pinch Valve Standard Sleeve



Pinch Valve Double Wall Sleeve



Pinch Valve Reduced Port Sleeve



# Series DAC

## Full Round, Dual Pinch, Enclosed Construction, Pneumatically Operated

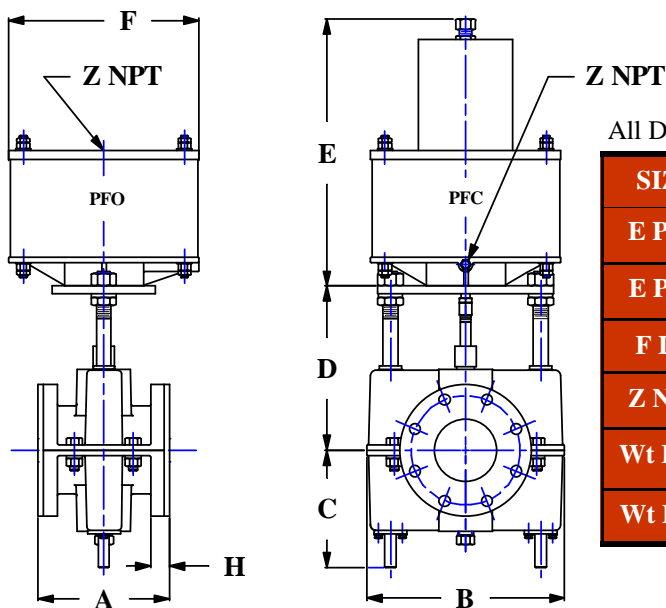
- Clog resistant full round opening.
- Low pressure drop
- No packing
- Drop tight closure
- On/Off or throttling service
- Fail Open or Fail Closed pneumatic actuators

### Specifications:

- Flanges: ANSI STD 125/150 lbs
- Housing: Cast iron, ASTM A48, class 35 ( valve sizes up to 10" )  
Ductile iron, ASTM 65-45-12 ( valve sizes 12" and up )
- Stem & guide rods: 303 stainless steel
- Pinch bars: Ductile iron, ASTM 65-45-12

### Options:

- Sleeve elastomer
- Epoxy paint
- ANSI STD 300 lbs flange
- 316 stainless steel stem
- Secondary containment package
- Positioner
- Solenoid valve
- Limit switches



All Dimensions Are in Inches.

SIZE	21	30	36	40	70	80	120	200
E PFO	10.2	13.5	14.7	19	21	23.6	29	32
E PFC	27.4	34.6	37.2	62.3	45	52.6	65	74
F Dia	11	13	16.2		18.2	18.5	24.5	30
Z NPT	1/4 NPT		3/8 NPT		1/2 NPT			
Wt PFO	46	75	119	130	140	145	200	275
Wt PFC	70	156	226	300	355	385	450	575

SIZE	2	3	4	6, SH.	6, LG.	8	10	12	14	16	18	20	24	30
A	7.0	8.0	9.0	10.5	17.7	21.4	26.5	29.0	28.0	32.0	36.0	40.0	48.0	60.0
B	8.5	8.5	13.5	20.1		22.7	26.2	32.0	35.0	38.0	45.0	50.0	54.0	78.0
C	5.3	6.5	8.0	9.5		12.0	16.0	18.0	22.0	23.0	26.0	28.0	33.0	40.0
D	10.0	12.0	14.5	19		23.1	26.0	27.0	33.0	37.0	42.0	45.0	52.0	70.0
H	1.1	1.31	1.31	1.87		1.6	1.8	2.3	2.7	3.4		3.5	4.0	4.5
P Max	200	175	150 psi				100 psi			75 psi				
Wt, lb	40	80	103	250	300	380	450	600	810	1200	1550	2000	2300	3000

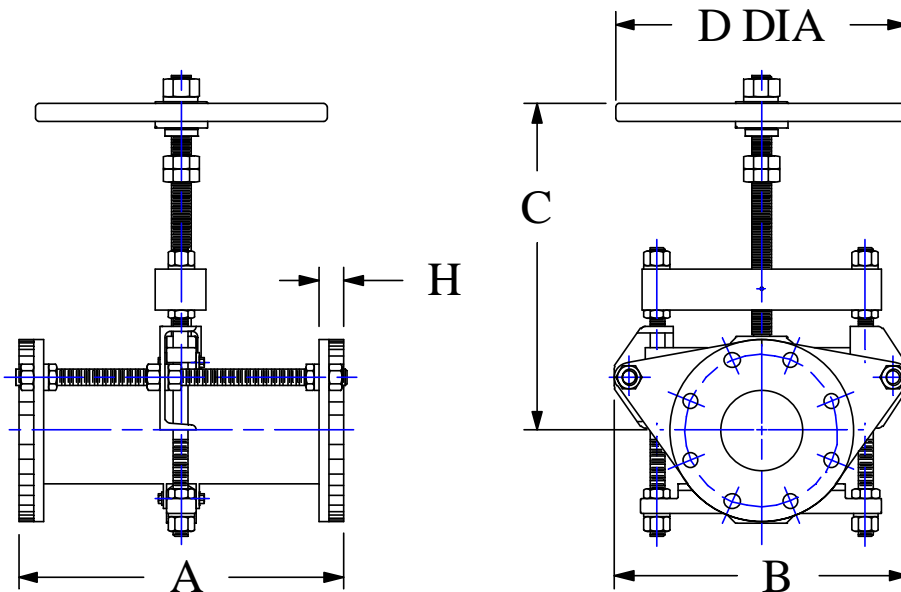
# Series DHO

## Full Round, Dual Pinch, Open Frame Construction, Hand Wheel Operated

- Clog resistant full round opening; valve can pass particles equal to line size
- Light weight
- Low pressure drop
- Drop tight closure
- On/Off or throttling service

### Specifications:

- Flanges: ANSI STD 125/150 lbs.
- Stem: 303 Stainless Steel
- Guide Rods: 303 Stainless Steel
- Pinch Bars: Ductile Iron, ASTM A536, Class 65-45-12
- Yoke: Carbon Steel



### Options:

- Sleeve Elastomer
- Epoxy Paint
- 316 Stainless Steel Stem
- Stem Cover Bellow

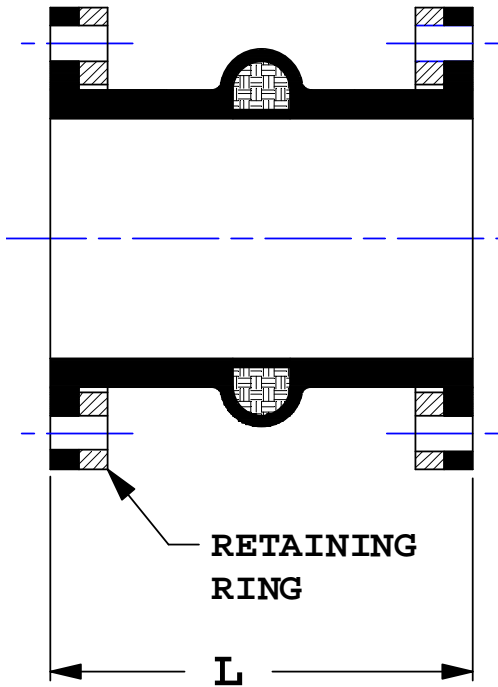
**Warning!** Open frame valves have no provision for containing process fluid during a sleeve failure; fluid may erupt unexpectedly from the valve. Do NOT use an open frame valve for fluids that are hot, acidic, flammable or toxic. Otherwise serious injury may result.

All Dimensions Are in Inches.

SIZE	1	1-1/2	2	2-1/2	3	4	5	6	8	10	12	14	16	18	20	24	
A	SHORT	4.0	4.8	5.2	5.75	6.0	8.0	-	10.5	16.0	20.0	24.0	28.0	32.0	36.0	40.0	48.0
	MEDIUM	5.5	6.0	7.0	7.50	8.0	9.0	10.0	12.0	21.3	26.5	29.0	-	-	-	-	-
	LONG	6.0	6.5	8.0	10.0	12.0		15.0	18.0	24.0	30.0	36.0	42.0	45.0	-	-	-
	X-LONG	-	-	-	-	-	16.0	-	24.0	32.0	40.0	48.0		-	-	-	
B	5.5	7.0	9.2	9.4	11.0	14.5	16	21.3	24.2	27.7	32	35.5	42.0	45.0	54.0	60.0	
C Max	5	6.6	10.5	9.1	13	16.5	18.0	20.0	24.2	25.8	28.0	38.0	45.0	50.0	59.0	70.0	
D Dia	7.0			8.0		11.0		18.0	22.0		24.0	28.0	30.0	48.0		60.0	
H	0.8	0.5	0.6	1.1		1.2	1.5		1.1	1.2	1.5	1.7	-	2.5	-	-	
P Max	150 psi					100 psi				75 psi				50 psi			
Wt, lb	5	10	17	22	34	70	90	150	260	300	370	450	780	825	945	1100	

# Series SFA

## Single Filled Arch Expansion Joint



Single Filled Arch Expansion Joint has all the functional characteristics of open arch expansion joints and additionally, with filled arch construction, it prevents the collection of solid materials that may settle and remain in the archway.

The Onyx Expansion Joints reduce and isolate vibration, noise transmission and compensate movements in alignment due to wear and load stresses.

### Specifications:

- Flanges: ANSI STD 125 lbs. Flat Face
- Carbon Steel Retaining Ring

### Options:

- Sleeve Elastomer
- Stainless Steel Retaining Ring
- Control Rods Units

All Dimensions Are in Inches.

SIZE	L	MOVEMENT CAPABILITY				PRESS (MAX)	BURST PRESS	VACCUM	TEMP RANGE
		COMPRESSION	ELONGATION	LATERAL	ANGULAR				
1-1/4	6.00	0.21	0.12	0.25	±7°	225 PSI	855 PSI	-27 INCHES Hg	-14° TO 220°F
1-1/2									
2									
2-1/2									
3									
4									
6									
8	8.00	0.34	0.18	0.25	±7°	114 PSI	345 PSI	-27 INCHES Hg	-14° TO 220°F
10									
12									
14									
16									
18	0.40	0.21	0.25	±7°	114 PSI	345 PSI	-27 INCHES Hg	-14° TO 220°F	
20									

# Series 99 SFA

## Single Wide Arch Expansion Joint

Single Wide Arch Expansion Joint has greater movement capability and with a minimal face-to-face dimension, 99 SFA Expansion joint can be remedies to critical alignment difficulties in limited spaces.

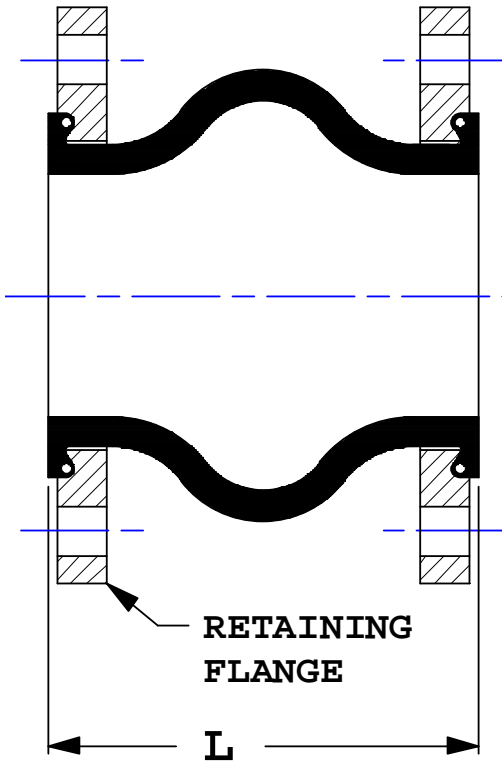
The Onyx Expansion Joints reduce and isolate vibration, noise transmission and compensate movements in alignment due to wear and load stresses.

### Specifications:

- Flanges: ANSI 125 lbs Standard
- Carbon Steel Retaining Flange

### Options:

- Sleeve Elastomer
- Stainless Steel Retaining Ring
- Control Rods Units



All Dimensions Are in Inches.

SIZE	L	MOVEMENT CAPABILITY				PRESS (MAX)	BURST PRESS	VACCUM	TEMP RANGE
		COMPRESSION	ELONGATION	LATERAL	ANGULAR				
1-1/4	6.00	0.43	0.25	0.50	±15°	225 PSI	855 PSI	-27 INCHES Hg	-14° TO 220°F
1-1/2									
2									
2-1/2									
3									
4									
6									
8	8.00	0.68	0.37	0.50	±15°	114 PSI	345 PSI	-27 INCHES Hg	-14° TO 220°F
10									
12									
14									
16									
18	8.00	0.81	0.43	0.50	±15°	114 PSI	345 PSI	-27 INCHES Hg	-14° TO 220°F
20									

# Pinch Valve Replacement Sleeves



**Onyx Valve Quality, competitive pricing, and fast delivery on replacement sleeves for many other brands of pinch valve.**

Onyx replacement sleeves are available for all popular brands of pinch valves. Full compression molding improves service life. Sleeves for emergency applications can usually be shipped the next business day. We can provide full round or reduced port sleeves for on/off or throttling applications. Valve service and repair available.

## **Materials available:**

- Pure Gum Rubber
- Nitrile
- Chloroprene
- White Odorless and Tasteless FDA Food Grade Rubber
- Fluoro Carbon (Viton ®)
- EPDM
- ChloroSulfonated Polyethylene
- Butyl

Take advantage of one-stop shopping and buy all your pinch valve sleeves from the quality leader in the pinch valve industry. And remember, you can reach Onyx Valve Co 24 hours a day, every day.

## **ONYX VALVE CO**

835 Industrial Hwy  
Cinnaminson NJ 08077

Ph: 856-829-2888

Fax: 856-829-3080

Your Local Representative: